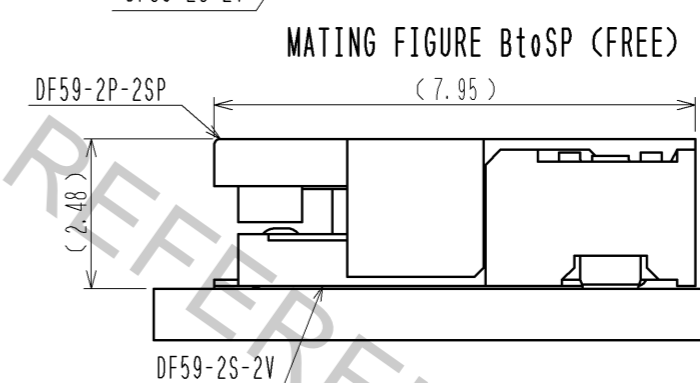
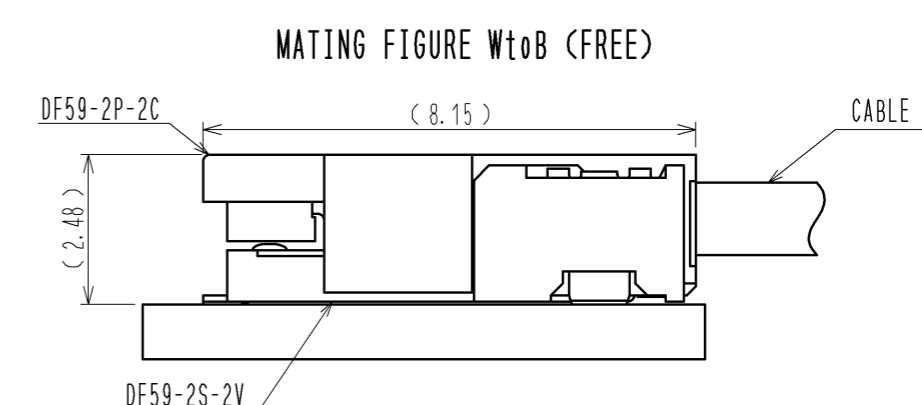
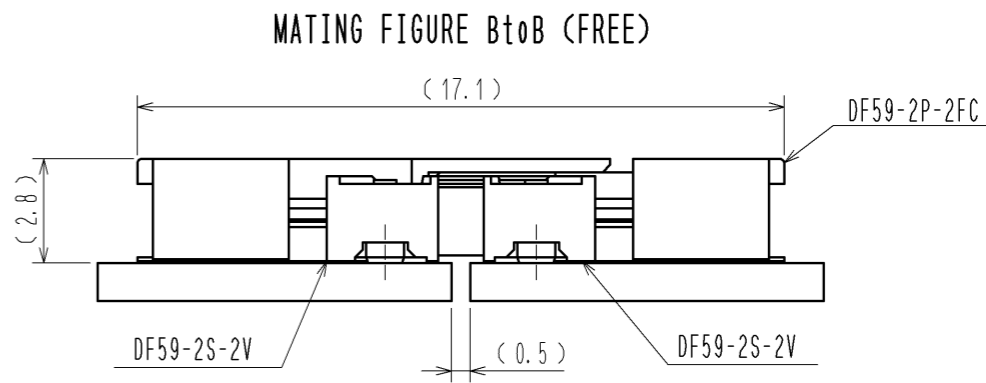
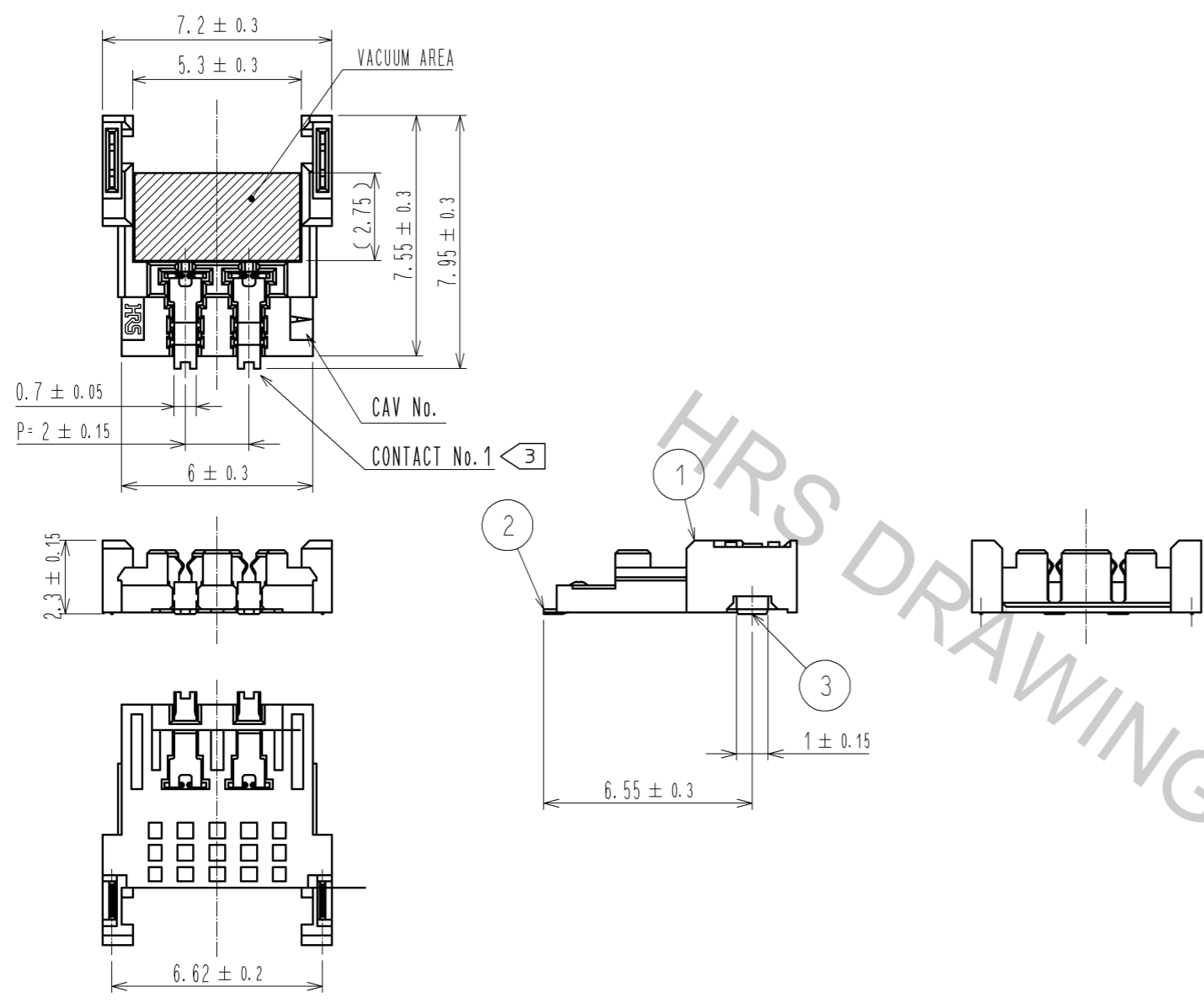
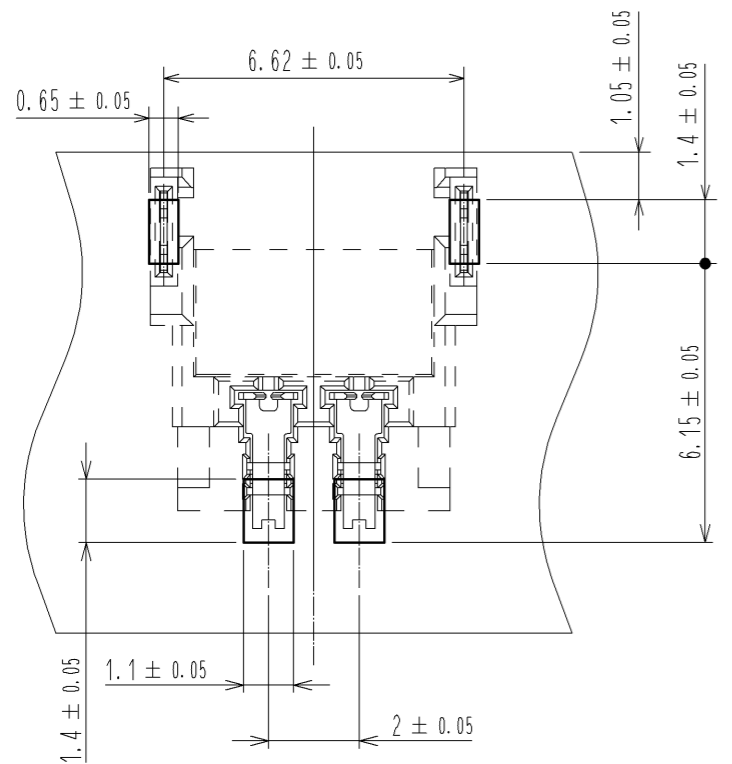


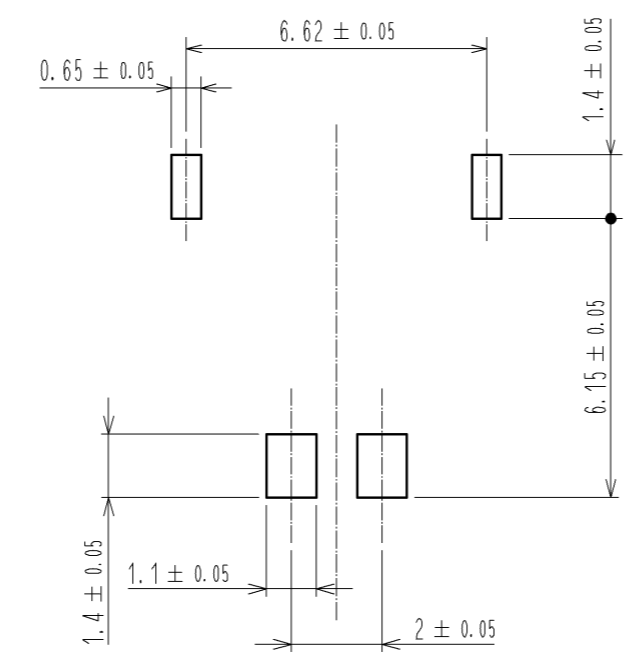
Aug.1.2017 Copyright 2017 HIROSE ELECTRIC CO., LTD. All Rights Reserved.



RECOMMENDED PCB LAYOUT (FREE)



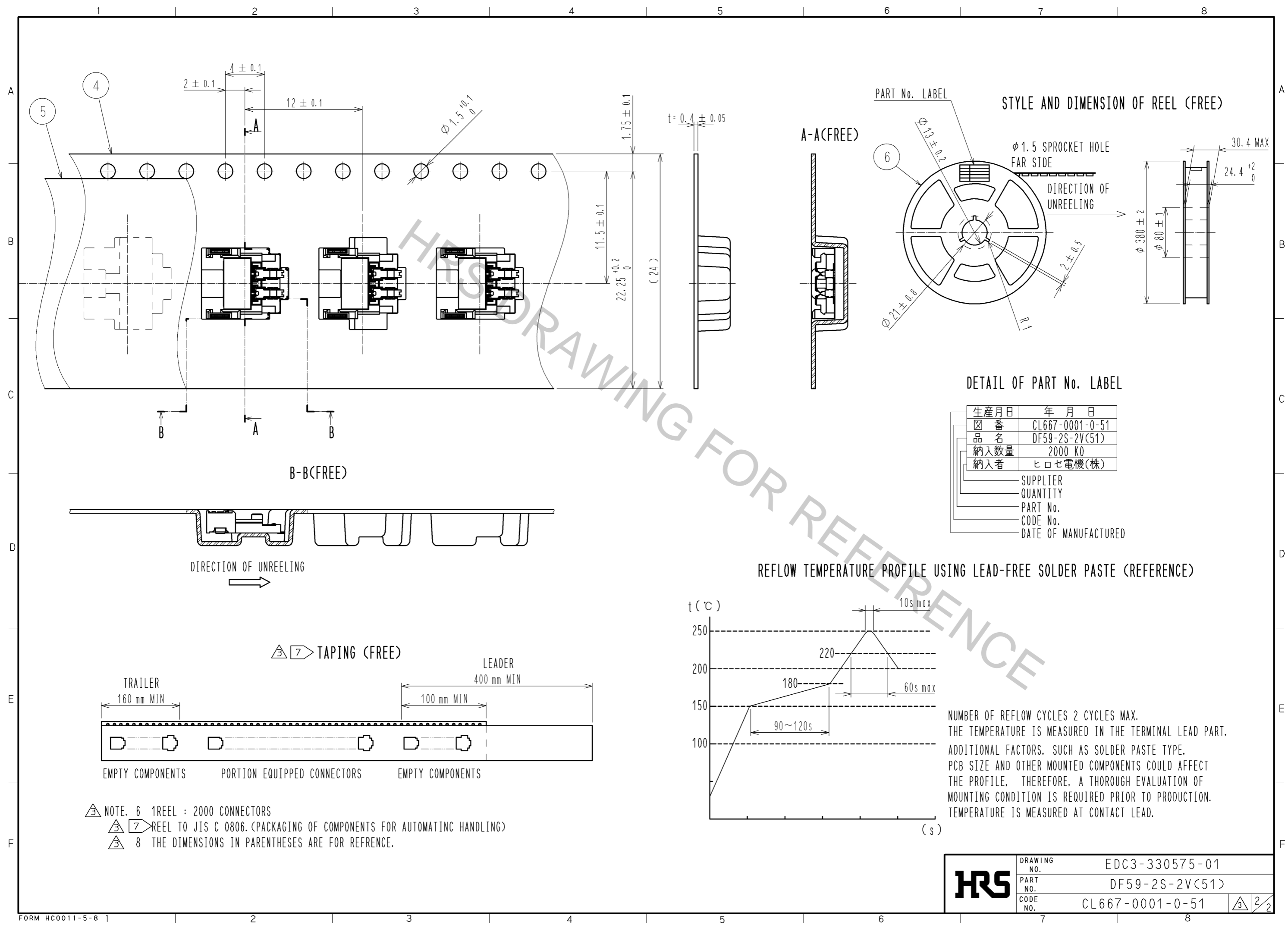
RECOMMENDED METAL MASK (FREE)
TICKNESS:0.1mm



- NOTE1. LEAD CO-PLANARITY SHALL BE 0.1mm MAX.
 2. () IS REFERENCE DIMENSION.
 3. MATING DF59-2P-2C, DF59-2P-2SP ARE APPLIED.
 4. REFER TO THE DF59 SERIES MATING/UNMATING OPERATION INSTRUCTION MANUAL(ETAD-H0496) FOR THE OPERATING OF THE PRODUCT.
 5. UL(FILE NO. E52653).
 C-UL(FILE NO. E52653) APPROVED PRODUCT.

		6 PS REEL , BLACK	
		5 POLYESTER CLEAR(COVER TAPE)	
		4 PS CLEAR(EMBOSSSED CARRIER TAPE)	
		3 PHOSPHOR BRONZE SURFACE : TIN PLATING 1μm MIN UNDER PLATING : NICKEL PLATING 0.5μm MIN	
2	PHOSPHOR BRONZE	CONTACT AREA : GOLD PLATING 0.2μm MIN LEAD AREA : TIN PLATING 1μm MIN UNDER PLATING : NICKEL PLATING 0.5μm MIN	
1	LCP	UL94V-0,BEIGE	
NO.	MATERIAL	FINISH , REMARKS	NO. MATERIAL FINISH , REMARKS
UNITS	mm	SCALE 5 : 1	COUNT 5
DESCRIPTION OF REVISIONS		DESIGNED ST. SATO	CHECKED HK. UMEHARA
DATE 12.04.13		DRAWING NO. EDC3-330575-01	
APPROVED : KI. AKIYAMA 10.10.20		PART NO. DF59-2S-2V(51)	
CHECKED : OM. MIYAMOTO 10.10.20		CODE NO. CL667-0001-0-51	
DESIGNED : KT. ISHII 10.10.20			
DRAWN : KT. ISHII 10.10.20			

Aug.1.2017 Copyright 2017 HIROSE ELECTRIC CO., LTD. All Rights Reserved.

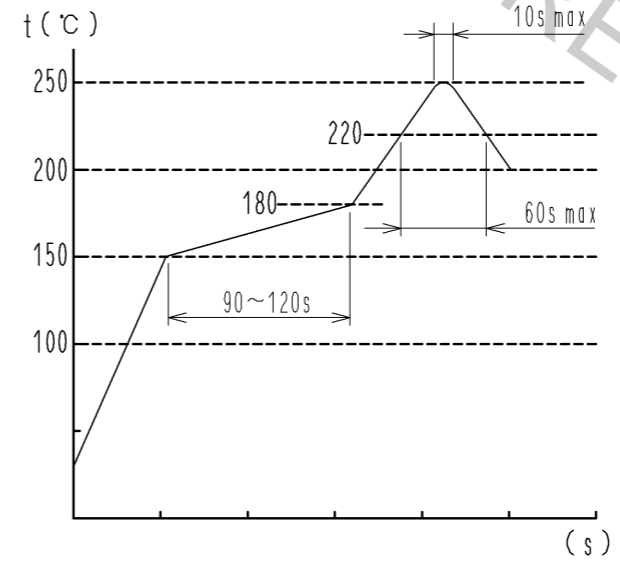


STYLE AND DIMENSION OF REEL (FREE)

DETAIL OF PART No. LABEL

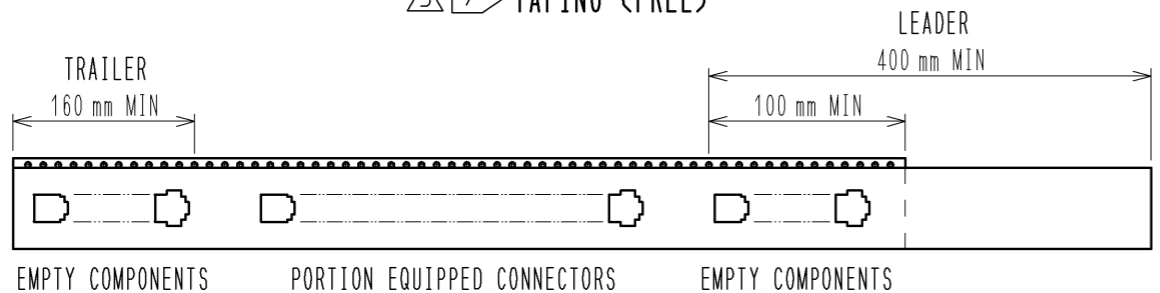
生産月日	年月日
図番	CL667-0001-0-51
品名	DF59-2S-2V(51)
納入数量	2000 KO
納入者	ヒロセ電機(株)
SUPPLIER	
QUANTITY	
PART No.	
CODE No.	
DATE OF MANUFACTURED	

REFLOW TEMPERATURE PROFILE USING LEAD-FREE SOLDER PASTE (REFERENCE)



NUMBER OF REFLOW CYCLES 2 CYCLES MAX.
 THE TEMPERATURE IS MEASURED IN THE TERMINAL LEAD PART.
 ADDITIONAL FACTORS, SUCH AS SOLDER PASTE TYPE,
 PCB SIZE AND OTHER MOUNTED COMPONENTS COULD AFFECT
 THE PROFILE. THEREFORE, A THOROUGH EVALUATION OF
 MOUNTING CONDITION IS REQUIRED PRIOR TO PRODUCTION.
 TEMPERATURE IS MEASURED AT CONTACT LEAD.

TAPING (FREE)



- NOTE. 6 1 REEL : 2000 CONNECTORS
- 7 REEL TO JIS C 0806. (PACKAGING OF COMPONENTS FOR AUTOMATIC HANDLING)
- 8 THE DIMENSIONS IN PARENTHESES ARE FOR REFERENCE.

HRS	DRAWING NO.	EDC3-330575-01
	PART NO.	DF59-2S-2V(51)
	CODE NO.	CL667-0001-0-51